

UNSECURE SIDE ELEVATION

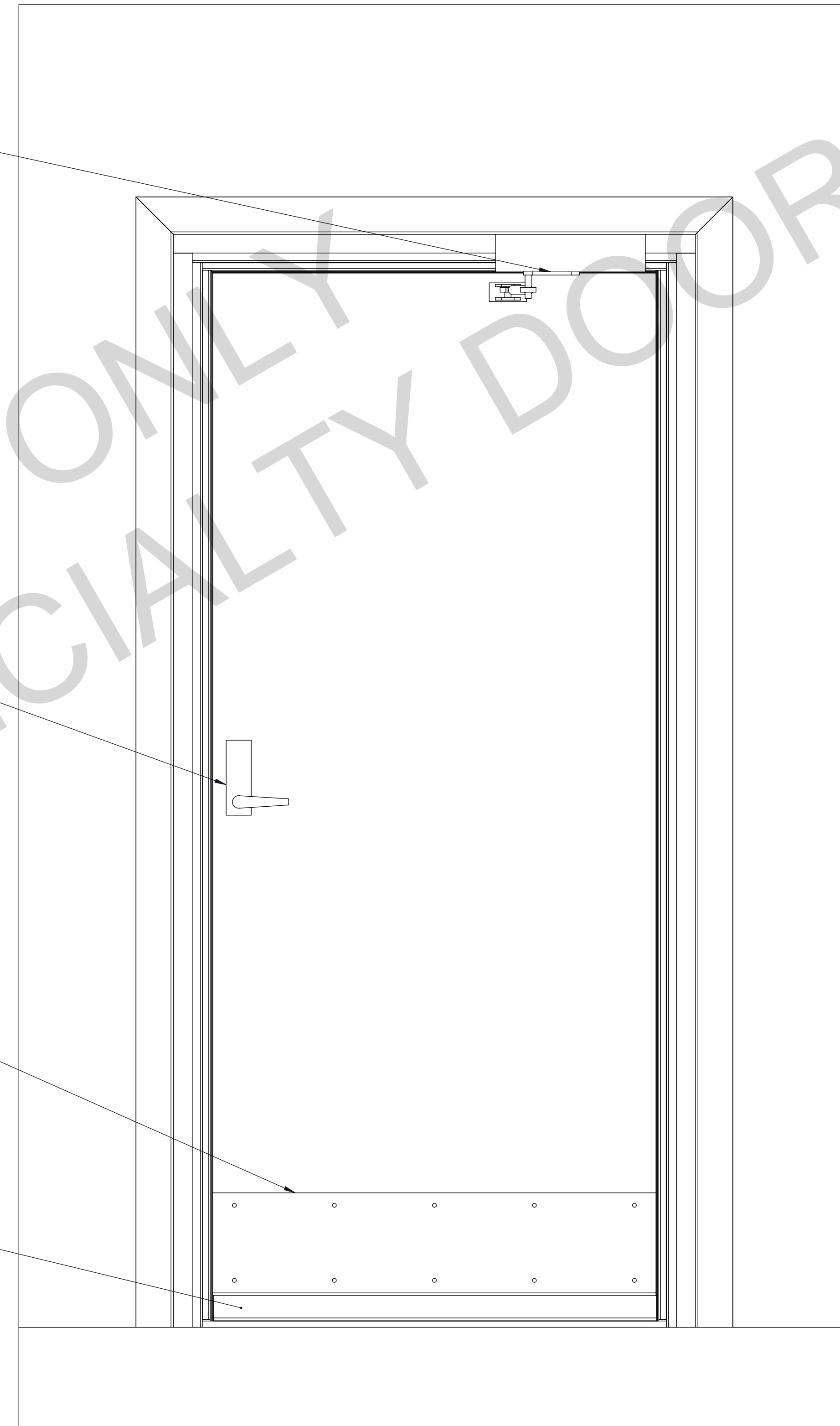
STANDARD HYDRAULIC DOOR CLOSER

STANDARD DOOR HANDLE

STANDARD DOOR HANDLE

STANDARD DOOR KICK PLATE

AUTOMATIC DOOR BOTTOM



SECURE SIDE ELEVATION

STANDARD BLAST DOOR GENERAL LAYOUT FOR 3FT X 7FT DOORS

DESIGNED TO MEET AND EXCEED UFC 3-340-02 PROTECTION CATEGORY 1
 MAXIMUM PEAK PRESSURE 5.73PSI, IMPULSE 487.34 PSI-MSEC
 RESPONSE LIMITS: 2DEG END ROTATION & 10 DUCTILITY OF BUILT-UP DOOR SECTION
 REBOUND RESTRAINTS DESIGNED FOR 100% OF MAX INWARD DYNAMIC REACTION

FOR REFERENCE ONLY
 PROPERTY OF GPS SPECIALTY DOORS

THIS DRAWING IS THE PROPERTY OF:

GPS

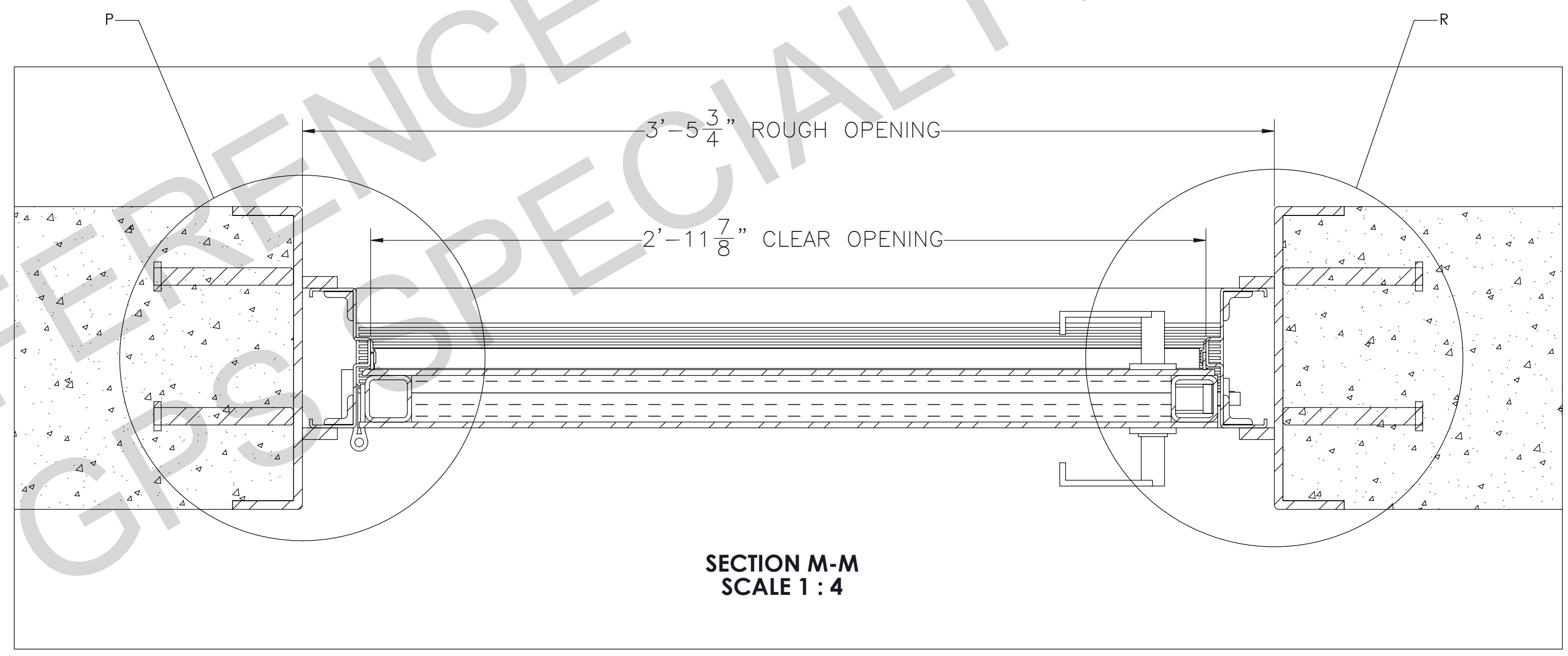
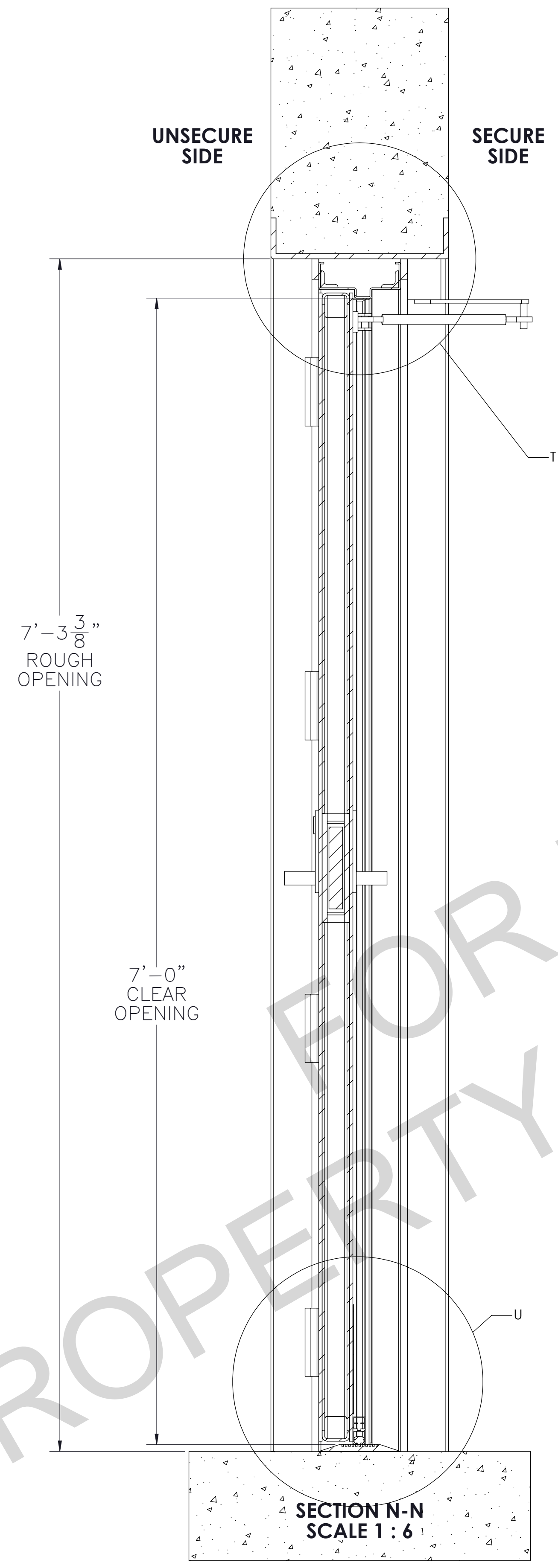
SPECIALTY DOORS
 5 JUST ROAD, FAIRFIELD, NJ 07004
 (973) 776-6200 FAX: (973) 776-2177

STANDARD BLAST DOOR ELEVATIONS

PROPRIETARY NOTICE
 THIS DRAWING CONTAINS PROPRIETARY INFORMATION OF GPS SPECIALTY DOORS AND IS THE PROPERTY OF GPS SPECIALTY DOORS. IT IS TO BE USED ONLY FOR THE PROJECT AND SITE SPECIFICALLY IDENTIFIED IN THE TITLE BLOCK. NO PART OF THIS DRAWING IS TO BE REPRODUCED, COPIED, OR TRANSMITTED IN ANY FORM OR BY ANY MEANS, WITHOUT THE WRITTEN AUTHORIZATION FROM GPS SPECIALTY DOORS. VIOLATION IS STRICTLY PROHIBITED.

NO.	DATE	REGION	NAME

PROJECT:	SCALE:	DATE:
STANDARD BLAST DOOR	N/A	12/6/2016
LOCATION:	N/A	
CUSTOMER:		
ARCHITECT:		
ENGINEER:		
COLOR CODE:		
PROJECT NO.:		
PROJECT CODE:		
PROJECT NAME:		
PROJECT NO.:		
PROJECT CODE:		
PROJECT NAME:		



**STANDARD BLAST DOOR
SECTION VIEWS**
TYPICAL ARRANGEMENT - SEE NEXT SHEET FOR DETAILS

THIS DRAWING IS THE PROPERTY OF
GPS
SPECIALTY DOORS
5 JUST ROAD, FAIRFIELD, NJ 07004
(973) 775-6200 FAX: (973) 775-2177

STANDARD BLAST DOOR SECTION VIEWS

PROPRIETARY NOTICE
THIS DRAWING CONTAINS PROPRIETARY INFORMATION OF GPS SPECIALTY DOORS AND ITS RECEIPT OR REPRODUCTION BY ANY PARTY WITHOUT THE WRITTEN AUTHORIZATION OF GPS SPECIALTY DOORS IS STRICTLY PROHIBITED.
ALL RIGHTS OF DESIGN AND INVENTION AND ANY REPRODUCTION, REPLICATION OR USE WITHOUT SPECIFIC WRITTEN AUTHORIZATION FROM GPS SPECIALTY DOORS IS STRICTLY PROHIBITED.

NO.	DATE	REGION	NAME

PROJECT: **STANDARD BLAST DOOR**

LOCATION: **N/A**

CUSTOMER: **N/A**

SCALE: **NIS**

DRAWN BY: **DKH**

CHECKED BY:

APPROVED:

DATE: **12/2/2016**

DATE:

DATE:

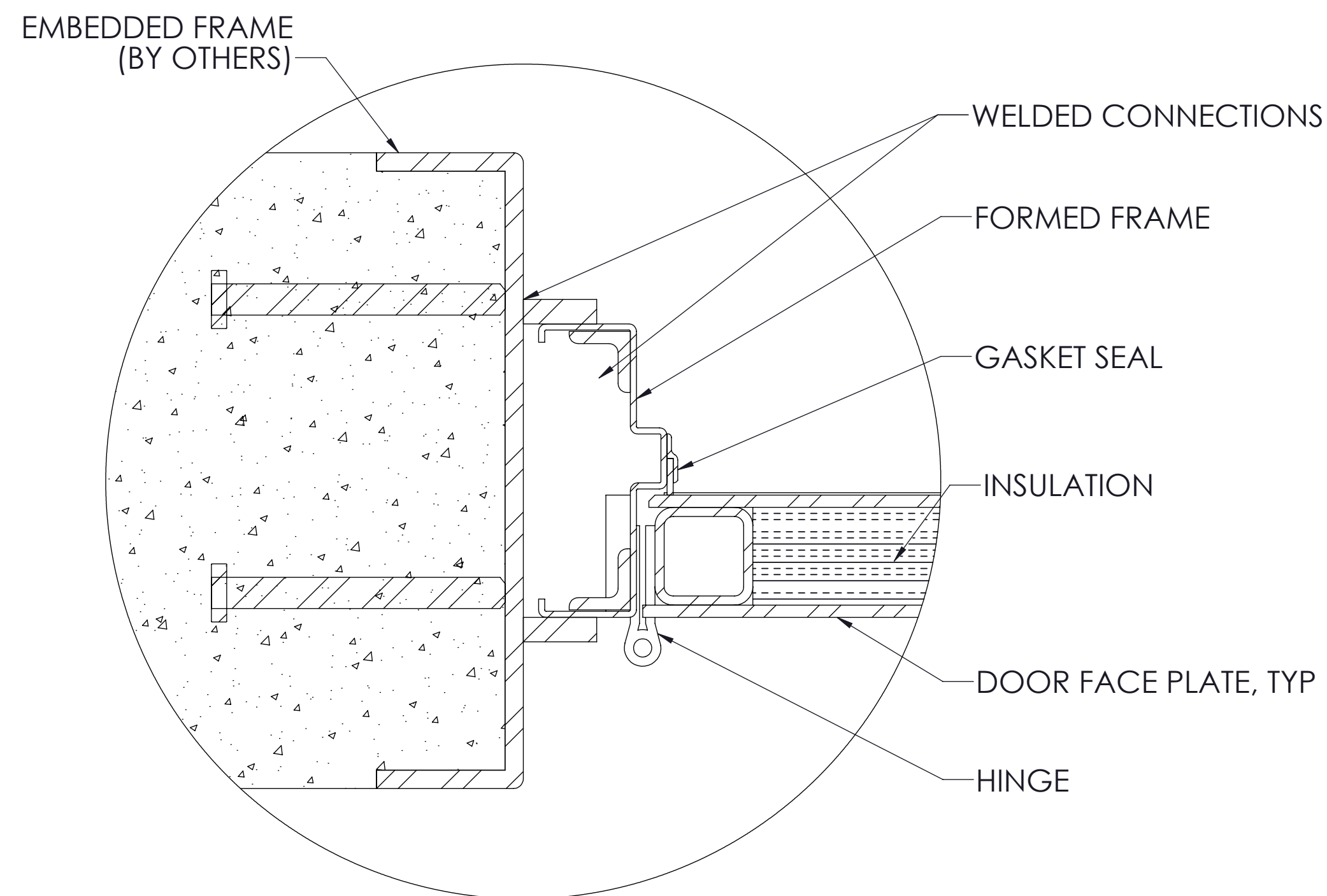
DATE:

SHEET NO: **S2**

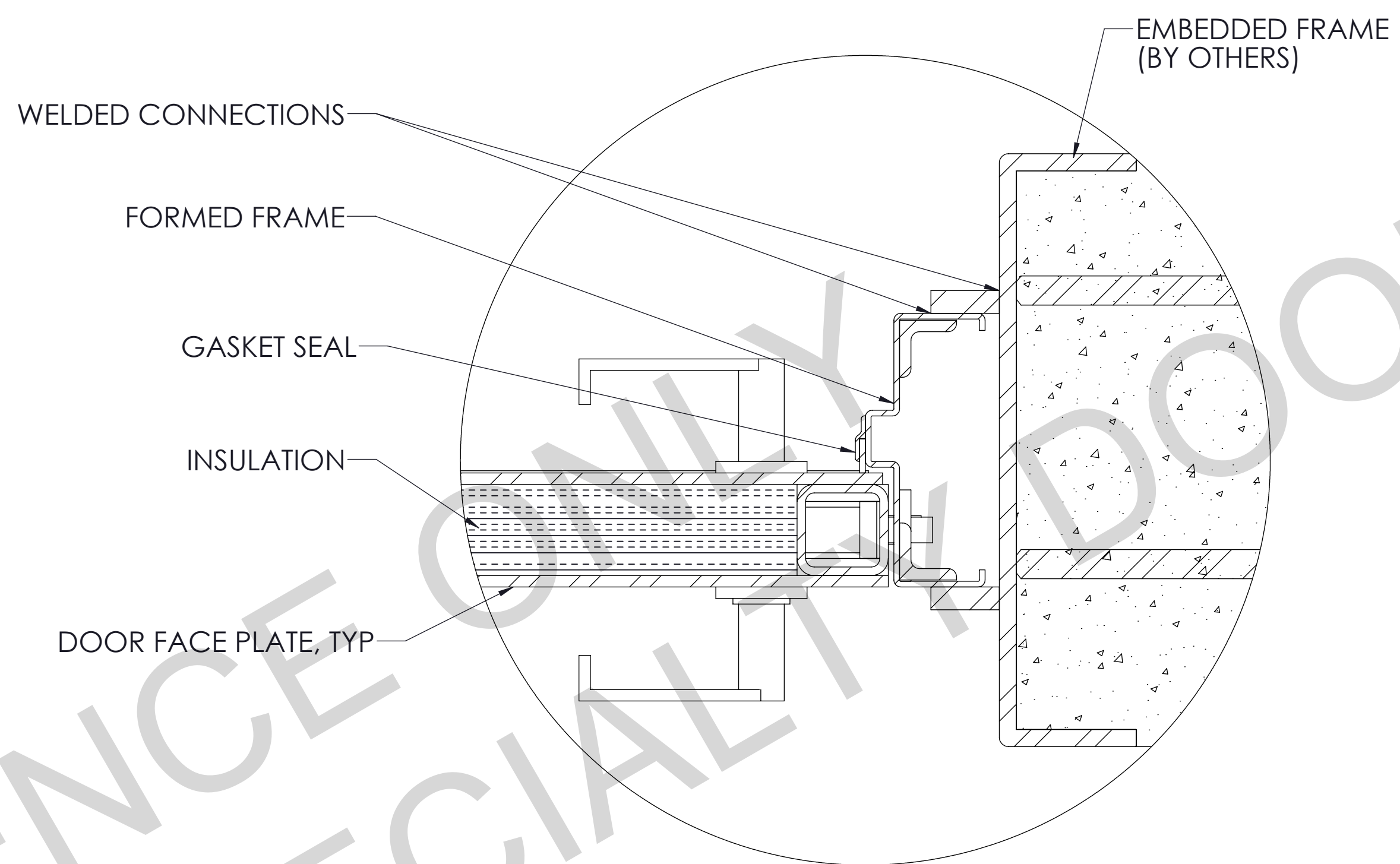
TOTAL SHEETS:

PROJECT CODE: **STD 3X7**

DATE:

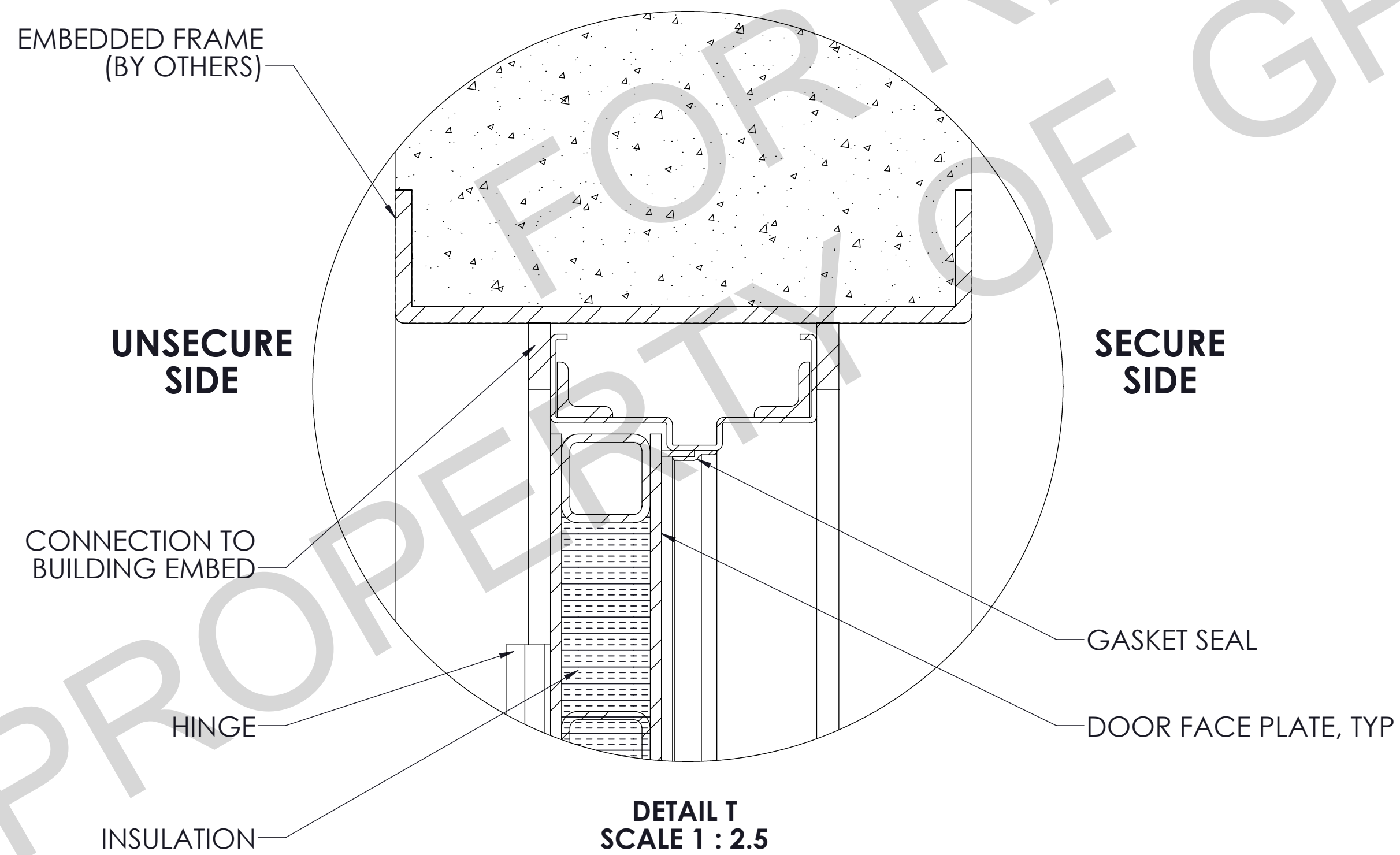


DETAIL P
SCALE 1 : 2.5
TYPICAL JAMB DETAIL (HINGE SIDE)

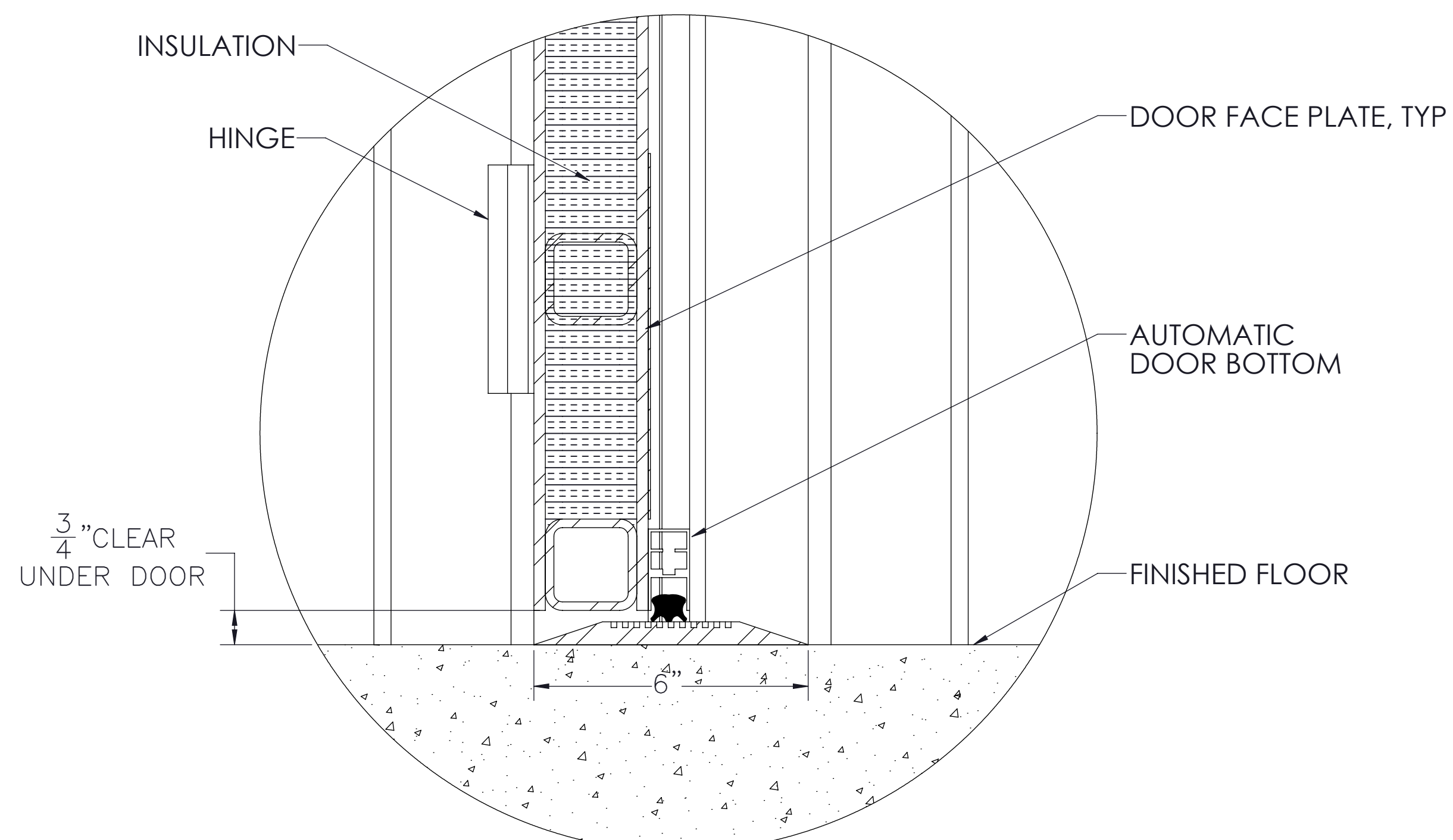


DETAIL R
SCALE 1 : 2.5
TYPICAL JAMB DETAIL (LATCH SIDE)

NOTE: DOOR ELEMENT DIMENSIONS AND SPECIFICATIONS MAY VARY DUE TO REQUIRED BLAST LOADS



DETAIL T
SCALE 1 : 2.5
TYPICAL HEADER DETAIL



DETAIL U
SCALE 1 : 2.5
TYPICAL FOOTER DETAIL

**STANDARD BLAST DOOR
DETAIL VIEWS**

STANDARD BLAST DOOR DETAILS

PROPRIETARY NOTICE
THIS DRAWING CONTAINS PROPRIETARY INFORMATION OF GPS SPECIALTY DOORS AND ITS RECEIPT OR USE BY ANY OTHER PARTY IS STRICTLY PROHIBITED. ANY REPRODUCTION OR TRANSMISSION OF THIS INFORMATION IN ANY MANNER WITHOUT THE WRITTEN AUTHORIZATION OF GPS SPECIALTY DOORS IS STRICTLY PROHIBITED.

NO.	DATE	REGION	NAME

PROJECT:	STANDARD BLAST DOOR
LOCATION:	N/A
CUSTOMER:	N/A
SCALE:	NIS
DATE:	12/6/2016
DRAWN BY:	DKH
CHECKED BY:	
DATE:	
APPROVED:	
PROJECT NO.:	
SHEET NO.:	S3
PROJECT CODE:	STD 3X7

SECURE SIDE

UNSECURE SIDE



BENT PLATE A36 STEEL
SIZE DETERMINED BY
REQUIRED BLAST RATING

HEADED STUD,
SIZE AND NUMBER DETERMINED
BY REQ'D BLAST RATING

BRACE FOR SHIPPING

7'-3 3/8"
ROUGH
OPENING

UNSECURE SIDE

SECURE SIDE

**TYPICAL EMBEDDED FRAME (BY OTHERS)
UNSECURE SIDE ELEVATION**

THIS DRAWING IS THE PROPERTY OF:

GPS

SPECIALTY DOORS
5 JUST ROAD, FAIRFIELD, NJ 07004
(973) 775-6200 FAX: (973) 775-2177

**STANDARD BLAST DOOR
TYPICAL EMBEDDED FRAME**

PROPRIETARY NOTICE
THIS DRAWING CONTAINS PROPRIETARY INFORMATION OF GPS SPECIALTY DOORS AND IS THE PROPERTY OF GPS SPECIALTY DOORS. IT IS TO BE USED ONLY FOR THE PROJECT AND LOCATION SPECIFICALLY IDENTIFIED IN THE TITLE. NO PART OF THIS DRAWING IS TO BE REPRODUCED, COPIED, OR TRANSMITTED IN ANY FORM OR BY ANY MEANS, WITHOUT THE WRITTEN PERMISSION OF GPS SPECIALTY DOORS. ALL RIGHTS OF DESIGN AND INVENTION AND ANY REPRODUCTION, DISCLOSURE OR USE WITHOUT SPECIFIC WRITTEN AUTHORIZATION FROM GPS SPECIALTY DOORS IS STRICTLY PROHIBITED.

PROJECT: **STANDARD BLAST DOOR**

LOCATION: **N/A**

CUSTOMER: **N/A**

SCALE: **NIS**

DRAWN BY: **DKH**

CHECKED BY:

DATE: **12/2/2016**

DATE:

DATE:

PROJECT NO: **STD 3X7**

SECT NO: **S4**

DATE:

DATE:

DATE:

DATE:

NO:

DATE:

DATE:

DATE:

DATE:

DATE:

NO:

DATE:

DATE:

DATE:

DATE:

DATE:

NO:

DATE:

DATE:

DATE:

DATE:

DATE:

NO:

DATE:

DATE:

DATE:

DATE:

DATE:

NO:

DATE:

DATE:

DATE:

DATE:

DATE:

NO:

DATE:

DATE:

DATE:

DATE:

DATE:

NO:

DATE:

DATE:

DATE:

DATE:

DATE:

NO:

DATE:

DATE:

DATE:

DATE:

DATE:

NO:

DATE:

DATE:

DATE:

DATE:

DATE:

NO:

DATE:

DATE:

DATE:

DATE:

DATE:

NO:

DATE:

DATE:

DATE:

DATE:

DATE:

NO:

DATE:

DATE:

DATE:

DATE:

DATE:

NO:

DATE:

DATE:

DATE:

DATE:

DATE:

NO:

DATE:

DATE:

DATE:

DATE:

DATE:

NO:

DATE:

DATE:

DATE:

DATE:

DATE:

NO:

DATE:

DATE:

DATE:

DATE:

DATE:

NO:

DATE:

DATE:

DATE:

DATE:

DATE:

NO:

DATE:

DATE:

DATE:

DATE:

DATE:

NO:

DATE:

DATE:

DATE:

DATE:

DATE:

NO:

DATE:

DATE:

DATE:

DATE:

DATE:

NO:

DATE:

DATE:

DATE:

DATE:

DATE:

NO:

DATE:

DATE:

DATE:

DATE:

DATE:

NO:

DATE:

DATE:

DATE:

DATE:

DATE:

NO:

DATE:

DATE:

DATE:

DATE:

DATE:

NO:

DATE:

DATE:

DATE:

DATE:

DATE:

NO:

DATE:

DATE:

DATE:

DATE:

DATE:

NO:

DATE:

DATE:

DATE:

DATE:

DATE:

NO:

DATE:

DATE:

DATE:

DATE:

DATE:

NO:

DATE:

DATE:

DATE:

DATE:

DATE:

NO:

DATE:

DATE:

DATE:

DATE:

DATE:

NO:

DATE:

DATE:

DATE:

DATE:

DATE:

NO:

DATE:

DATE:

DATE:

DATE:

DATE:

NO:

DATE:

DATE:

DATE:

DATE:

DATE:

NO:

DATE:

DATE:

DATE:

DATE:

DATE:

NO:

DATE:

DATE:

DATE:

DATE:

DATE:

NO:

DATE:

DATE:

DATE:

DATE:

DATE:

NO:

DATE:

DATE:

DATE:

DATE:

DATE:

NO:

DATE:

DATE:

DATE:

DATE:

DATE:

NO:

DATE:

DATE:

DATE:

DATE:

DATE:

NO:

DATE:

DATE:

DATE:

DATE:

DATE:

NO:

DATE:

DATE:

DATE:

DATE:

DATE:

NO:

DATE:

DATE:

DATE:

DATE:

DATE:

NO:

DATE:

DATE:

DATE:

DATE:

DATE:

NO:

DATE:

DATE:

DATE:

DATE:

DATE:

NO:

DATE:

DATE:

DATE:

DATE:

DATE:

NO:

DATE:

DATE:

DATE:

DATE:

DATE:

NO:

DATE:

DATE:

DATE:

DATE:

DATE:

NO:

DATE:

DATE:

DATE:

DATE:

DATE:

NO:

DATE:

DATE:

DATE:

DATE:

DATE:

NO: